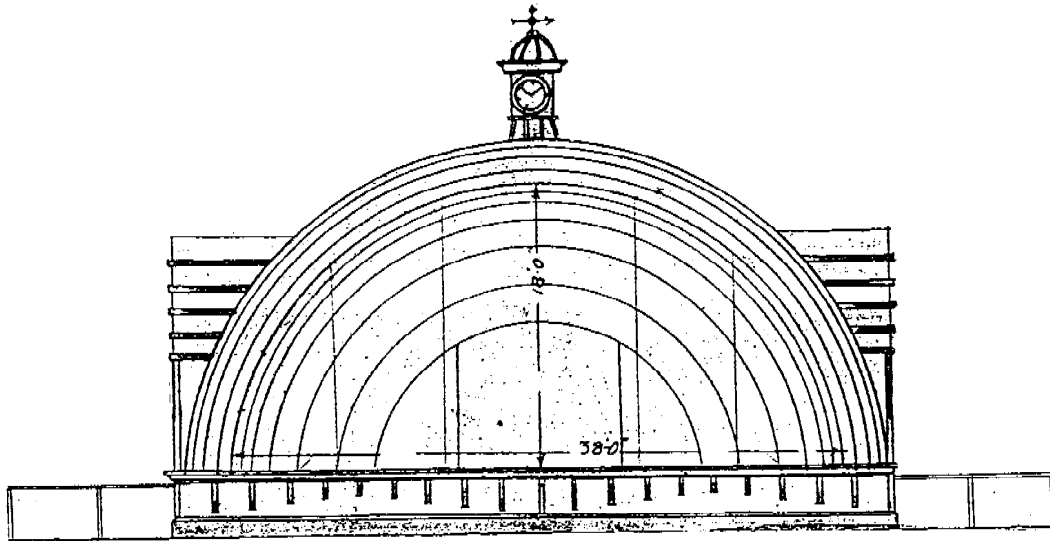
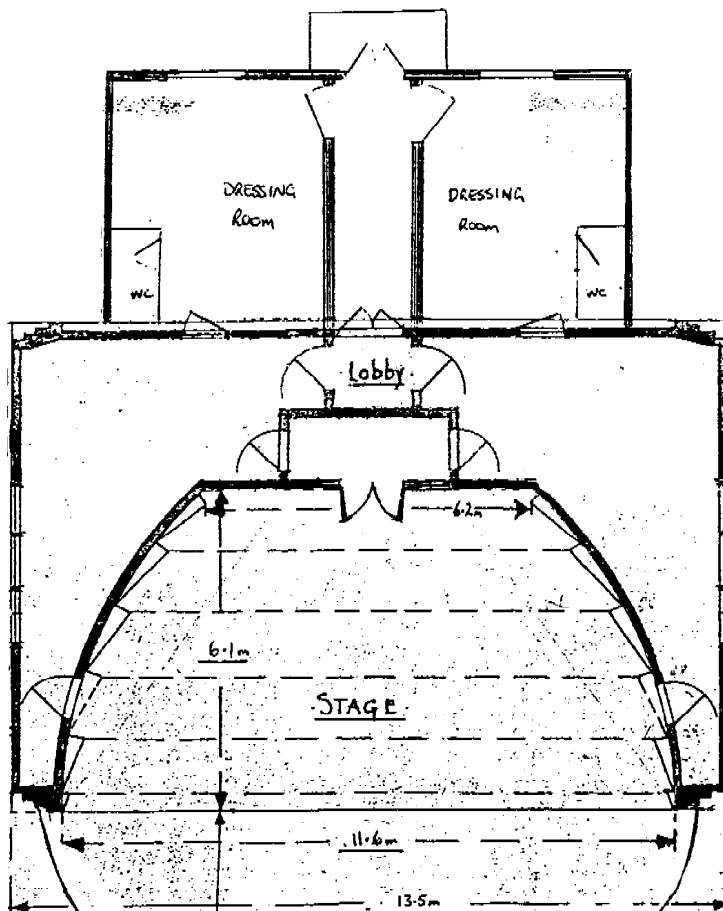


CAROLINE BAY SOUNDSHELL
FLOOR PLAN

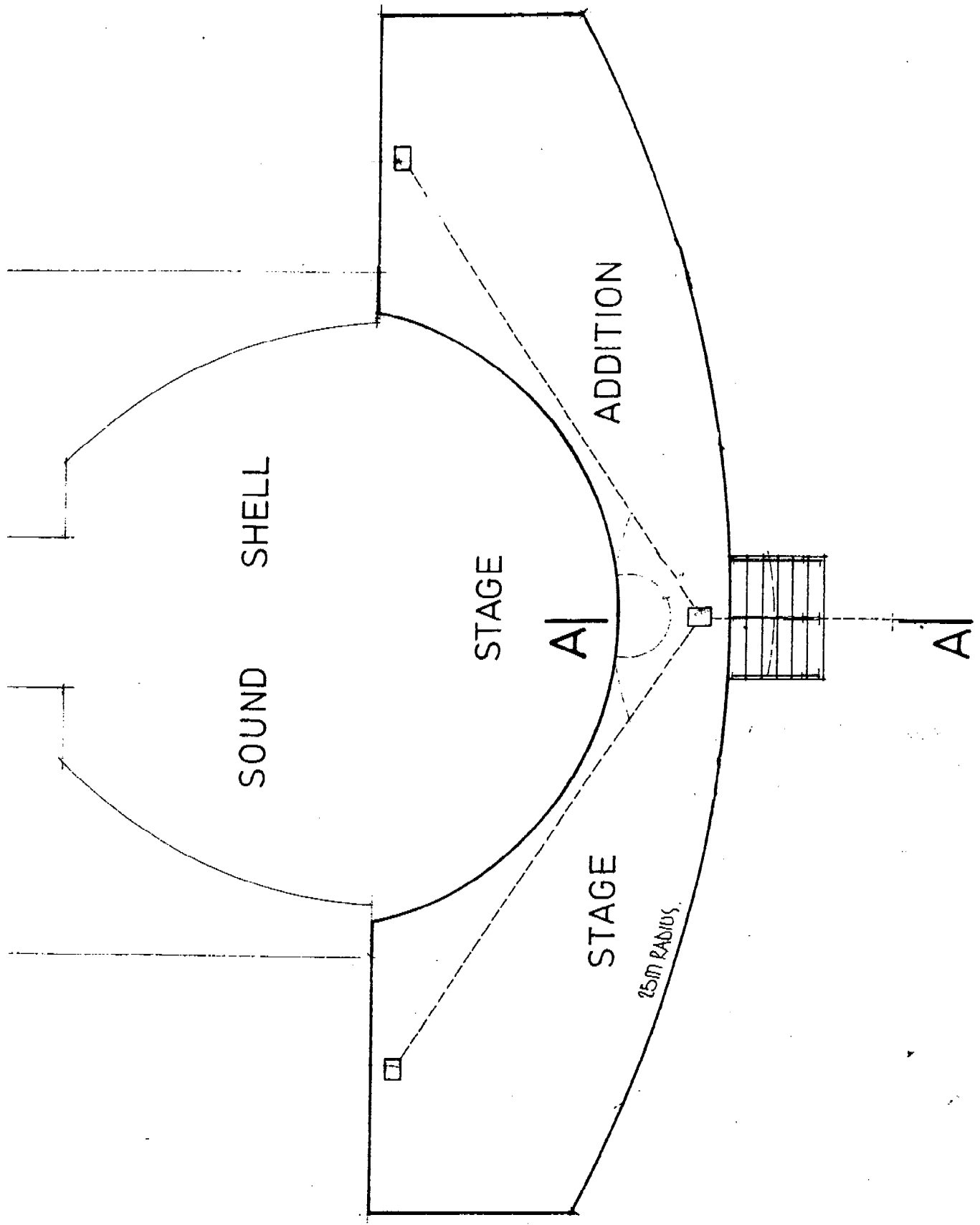


FRONT ELEVATION



STAGE PLAN

(See attached 'Stage Addition Plan')





CAROLINE BAY SOUNDSHELL

LIGHTING CONTROL

- I. Stage Lights are controlled by dimmers which are mounted beside switchboard.
- II. Flood Lighting of Stadium Seating - 2 x 1000 watt Flood Lights are located at the back of Stadium Seating. These are controlled by Switch beside Switchboard. This is provided to light Stadium Seating before and after concert.
- III. Ducting is provided from front of Soundshell to the bottom of the Stadium Seating area. This is 100 mm diameter and would be suitable for Lighting and Sound Control Cables should Remote Control be required.

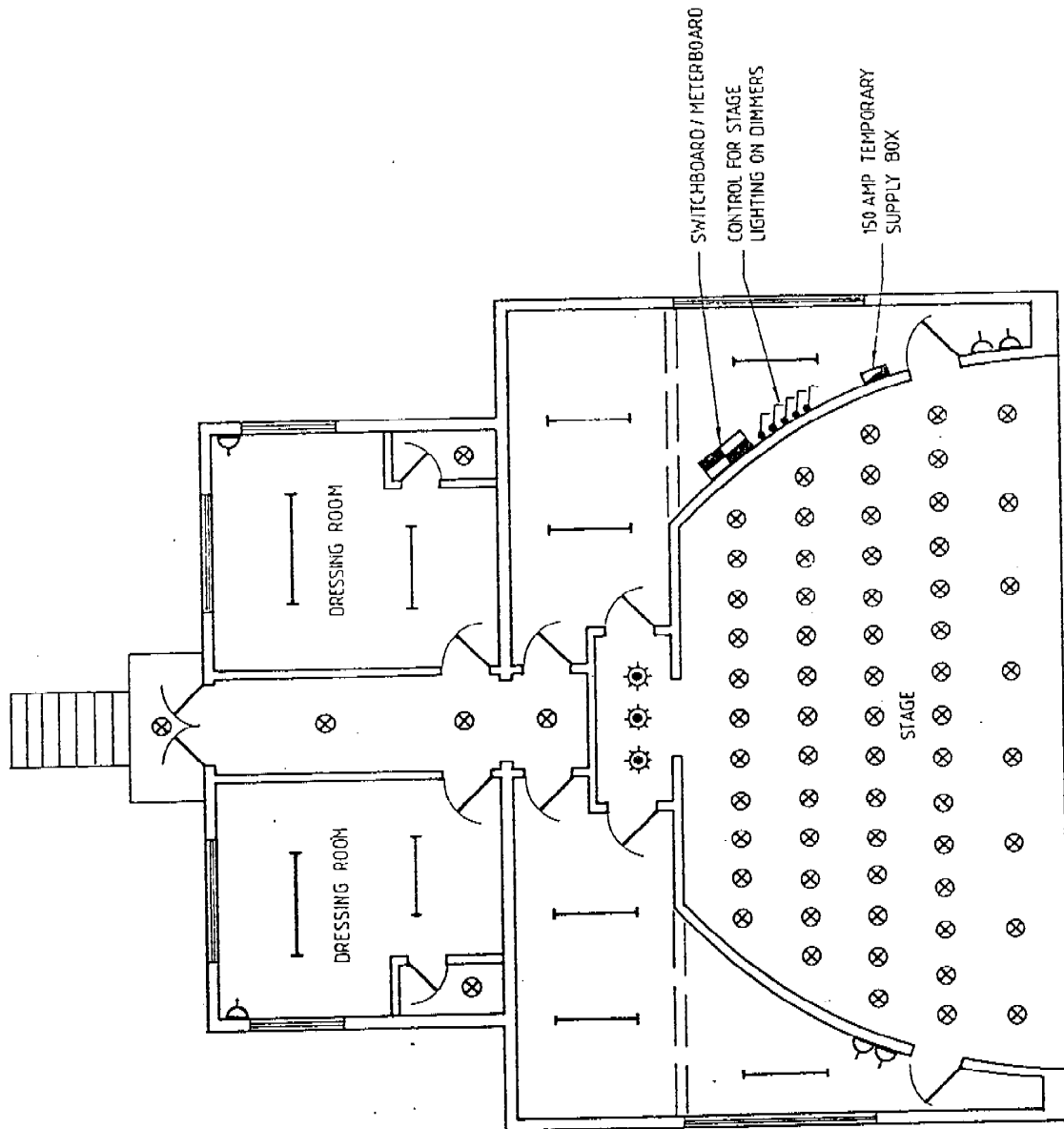
ELECTRICAL LAYOUT

- IV. Provision is made for a Single Point, Heavy Current connection. Position as marked on plan. A maximum of 160 AMP three phase is given and connection must be made via an official Electrical Inspector.

The equipment that is connected must comply with relevant Electrical Regulations.

Connection is in Duct Box below Isolator. This Box has five 10 mm studs and is clearly marked as Three Phase, Neutral and Earth. Speed Brace and Socket is provided for connecting and disconnecting.

- V. Adjacent to Soundshell Complex is an Outlet Box providing two single phase, 10 AMP Sockets and one Caravan Outlet. Connection to these must comply with Regulation 103 EWR 1976.



ELECTRICAL LAYOUT

LEGEND

- SOCKET OUTLET
- LAMP HOLDER
- SPOT LIGHT
- FLOURESCENT LIGHT
- SWITCH

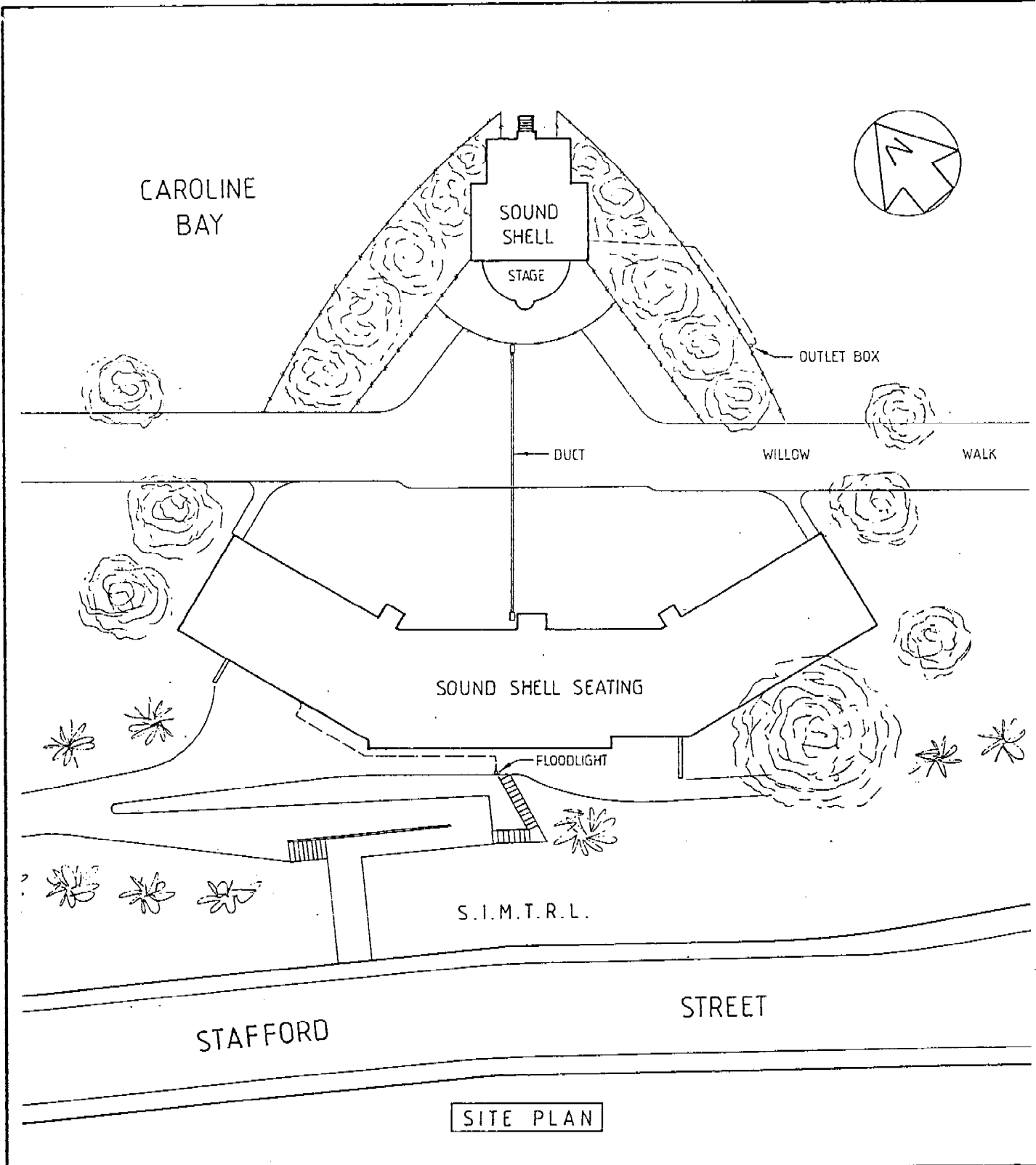
ISS	AMENDMENT	INLS	DATE
01	ORIGINAL	D.J.S.	24-7-92
DRWN	D.J.S.	TRCD	D.J.S.
DATE	24-7-92	SCALE	—
ORGN	R.A.S.	CHKD	RAS
APPD	PSSD		

TIMARU DISTRICT COUNCIL

CAROLINE BAY
SOUND SHELL
ELECTRICAL SERVICES




SIZE	2937
A4	SHEET 2 OF 4



ISS	AMENDMENT	INLS	DATE
01	ORIGINAL	D.J.S.	24-7-92
DRWN	D.J.S.	TRCD	D.J.S.
DATE	24-7-92	SCALE	—
ORGN	R.A.S.	CHKD	<i>DRS</i>
APPD	PSSD		

TIMARU DISTRICT COUNCIL

CAROLINE BAY
SOUND SHELL
ELECTRICAL SERVICES



**TIMARU
ELECTRICITY**

SIZE	2937
A4	SHEET 1 OF 4

CAROLINE BAY SOUNDSHELL STADIUM SEATING

SECTION 1

ROW A 1 - 35	ROW H 1 - 35
ROW B 1 - 35	ROW J 1 - 35
ROW C 1 - 35	ROW K 1 - 35
ROW D 1 - 35	ROW L 1 - 35
ROW E 1 - 35	ROW M 1 - 35
ROW F 1 - 35	ROW N 1 - 35
ROW G 1 - 35	

SECTION 2

ROW A 1 - 28	ROW H 1 - 36
ROW B 1 - 30	ROW J 1 - 38
ROW C 1 - 30	ROW K 1 - 38
ROW D 1 - 31	ROW L 1 - 39
ROW E 1 - 32	ROW M 1 - 40
ROW F 1 - 33	ROW N 1 - 41
ROW G 1 - 34	

SECTION 3

ROW A 1 - 29	ROW H 1 - 36
ROW B 1 - 30	ROW J 1 - 37
ROW C 1 - 31	ROW K 1 - 38
ROW D 1 - 32	ROW L 1 - 39
ROW E 1 - 32	ROW M 1 - 39
ROW F 1 - 34	ROW N 1 - 41
ROW G 1 - 34	

SECTION 4

ROW A 1 - 35	ROW H 1 - 35
ROW B 1 - 35	ROW J 1 - 35
ROW C 1 - 35	ROW K 1 - 35
ROW D 1 - 35	ROW L 1 - 35
ROW E 1 - 35	ROW M 1 - 35
ROW F 1 - 35	ROW N 1 - 35
ROW G 1 - 35	

TOTAL SEATING 1812 (PLUS 11 HALF SEATS)