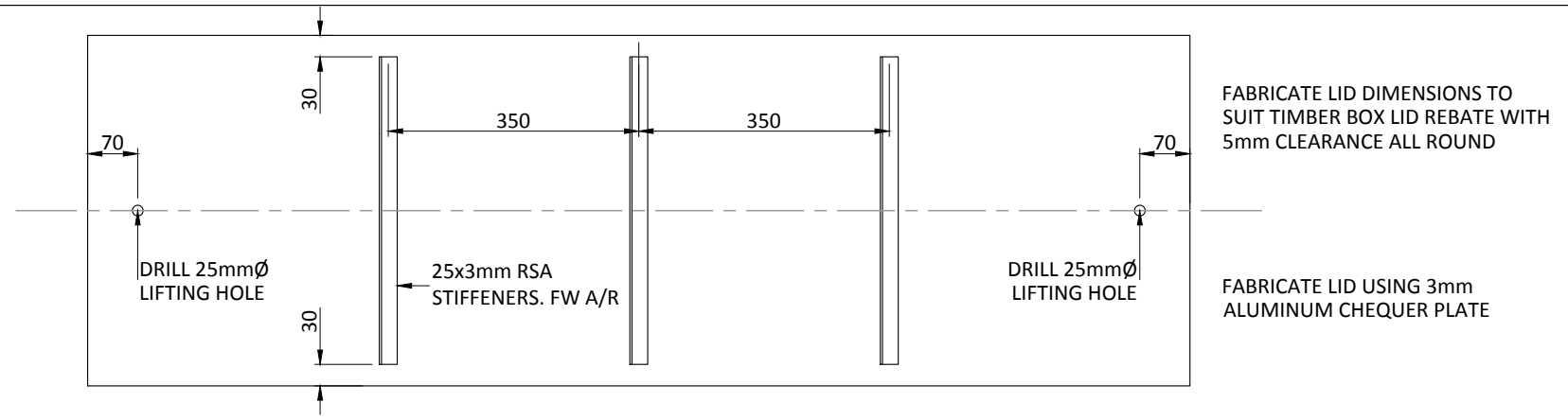


**DOUBLE CHECK VALVE - BACKFLOW DEVICE**

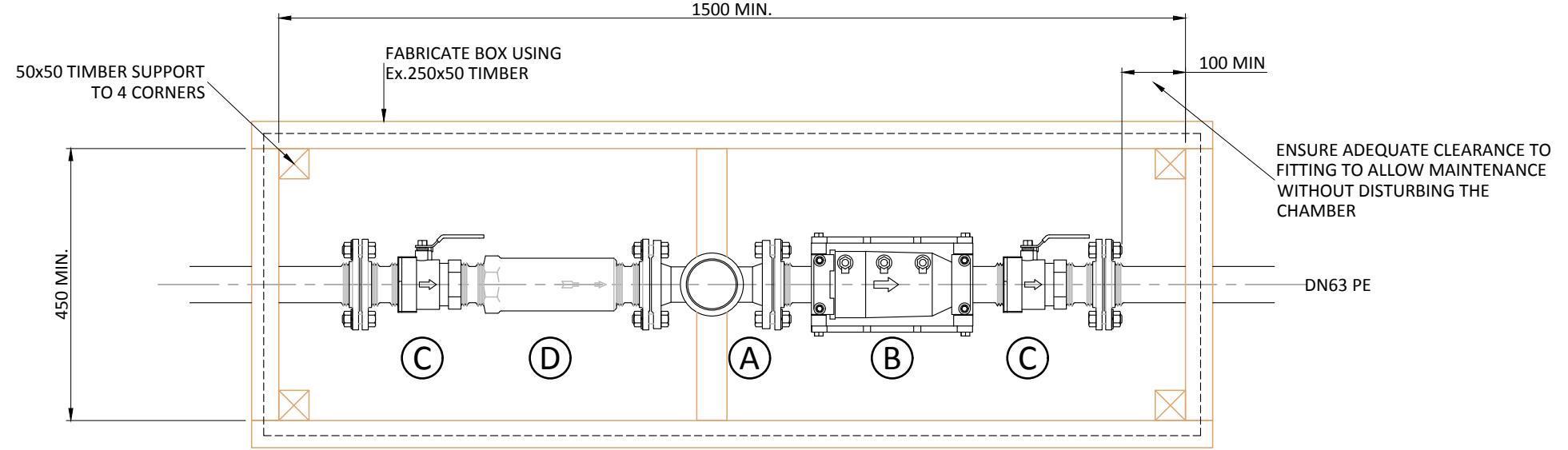
PARTS LIST		
SIZE	ITEM	DESCRIPTION
DN50 mm ID	A	Water Meter Sensus Meistream Plus or similar approved
	B	Zurn-Wilkins 350 Double Check Assembly or similar approved
	C	Ball Valve Stainless Steel
	D	Wye Strainer 20 mesh screen

SOME METERS MAY REQUIRE A 5x PIPE Ø LENGTH OF STRAIGHT PIPE UPSTREAM & 2x PIPE Ø DOWNSTREAM OF THE METER -IT IS THE CONTRACTORS RESPONSIBILITY TO CHECK AND ALLOW FOR ANY ADDITIONAL FITTINGS NEEDED FOR THE SUPPLIED MAKE & MODEL OF METER OR FITTING.

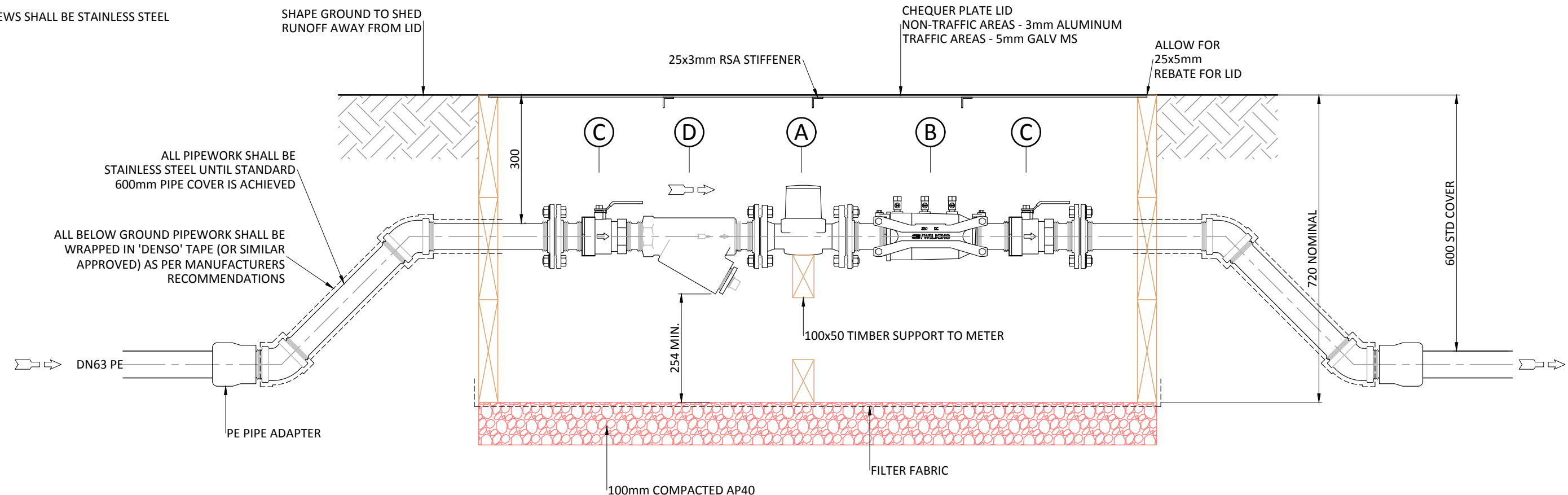


FABRICATE LID DIMENSIONS TO SUIT TIMBER BOX LID REBATE WITH 5mm CLEARANCE ALL ROUND

FABRICATE LID USING 3mm ALUMINUM CHEQUER PLATE



- NOTES.**
1. USE ONLY DRZ BRASS OR STAINLESS STEEL FITTINGS
  2. ALL STAINLESS STEEL PIPES SHALL BE 316 SCHEDULE 10 MINIMUM.
  3. ALL STAINLESS STEEL ELBOWS ARE 316 STANDARD
  4. ALL STAINLESS STEEL FLANGES ARE TO AS2129 TABLE E STANDARD.
  5. HOUSING SHALL BE SUITABLE TO PREVENT INTERFERENCE/DAMAGE TO THE ASSEMBLY.
  6. ALL TIMBER SHALL BE TANALISED H5 TREATED
  7. ALL NAILS/SCREWS SHALL BE STAINLESS STEEL



SURVEY FILE: _____ DATA SOURCE: WATER LEVEL DATUM: _____		INITIAL: _____ DATE: _____ SURVEYED: _____ DESIGNED: _____ DESIGN CHECK: _____ DRAWN: _____ DRG CHECK: _____ APPROVED: _____		ORIGINAL SCALE (A1): 1:10, 1:2 REDUCED SCALE (A3): 1:20, 1:4 PRODUCED BY: _____ FOR: _____ THIS DOCUMENT IS THE PROPERTY OF THE TIMARU DISTRICT COUNCIL. IT IS NOT TO BE REPRODUCED WITHOUT THE PERMISSION OF THE TIMARU DISTRICT COUNCIL.		TIMARU DISTRICT COUNCIL 2 King George Place P.O. Box 522 Timaru 7940 Telephone: 03 687 7200 Website: www.timaru.govt.nz		PROJECT: DRAINAGE AND WATER CODE OF PRACTICE STANDARD DETAILS		TITLE: WATER SUPPLY DN50mm BACKFLOW DEVICE INSTALLATION DETAILS		CONTRACT NUMBER: _____ DRAWING NUMBER: 5304 SHEET: 1 OF 10		REVISION: F	
--	--	--	--	--	--	--	--	---	--	---	--	--	--	-------------	--

Original Sheet Size A1 (841 x 594) N:\Standard Plans\02\_Drainage and Water Standards\5304 revE.dwg DO NOT SCALE - IF IN DOUBT ASK