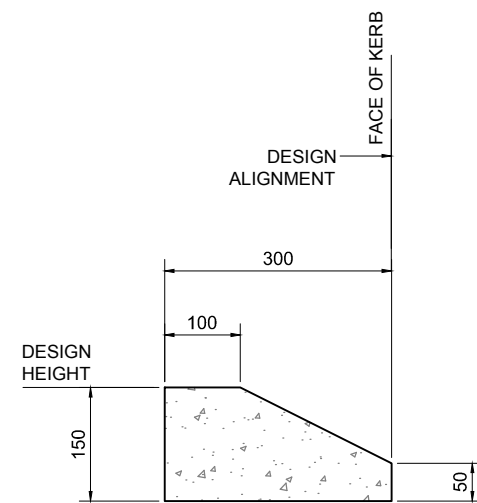
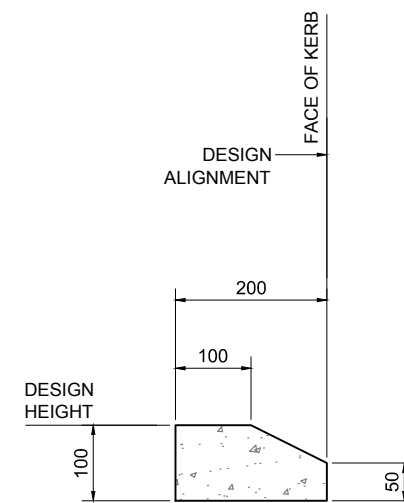


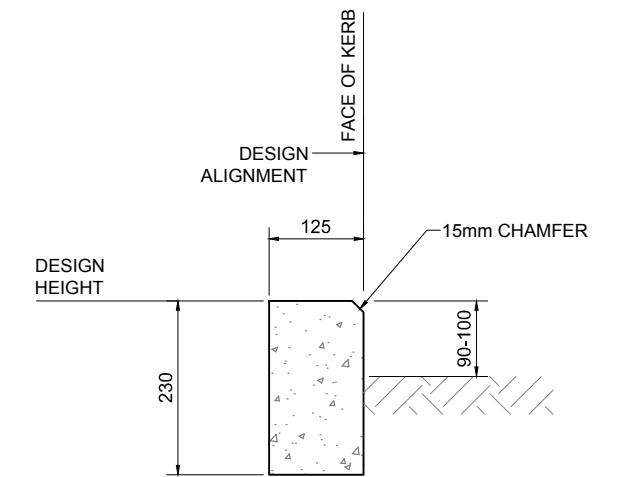
**STANDARD KERB & CHANNEL**



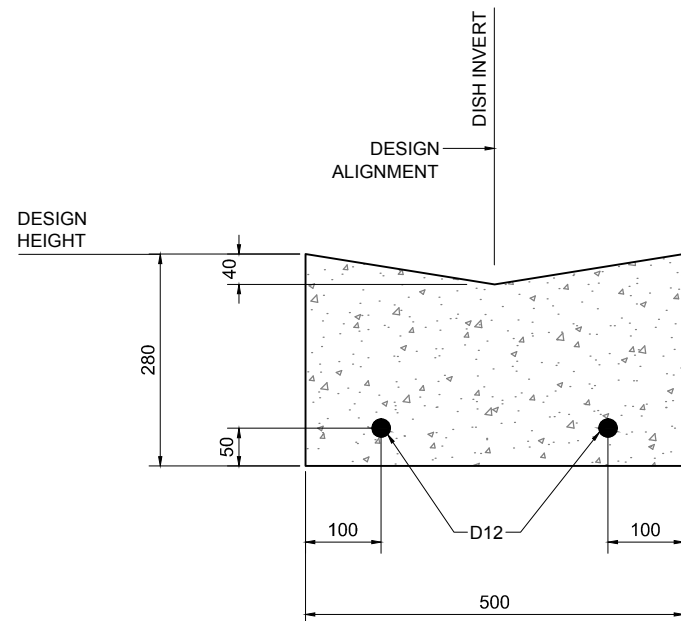
**STANDARD MOUNTABLE NIB KERB**



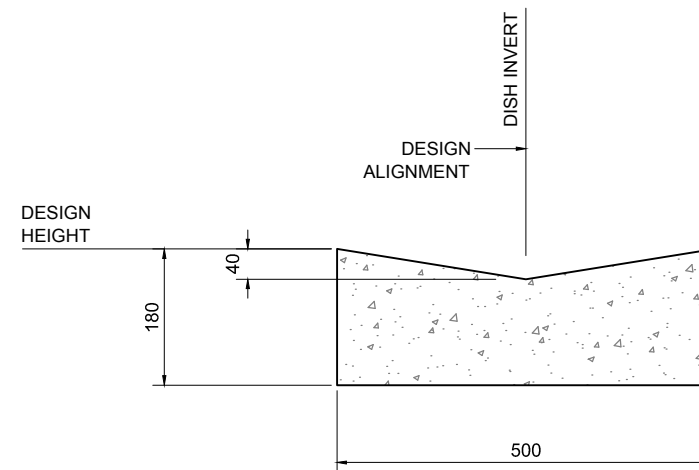
**REDUCED PROFILE MOUNTABLE KERB**



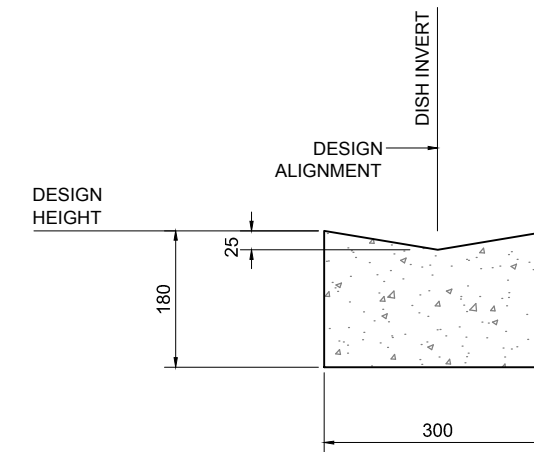
**STANDARD NIB KERB**




**REINFORCED DISH CHANNEL**



**STANDARD DISH CHANNEL**



**DISH CHANNEL 300 WIDE**

SURVEY FILE:		INITIAL	DATE	NAME	DATE	ORIGINAL SCALE (A1):	1:50	 TIMARU DISTRICT COUNCIL 2 King George Place P.O. Box 522 Timaru 7940 Telephone: 03 687 7200 Website: www.timaru.govt.nz	PROJECT: LAND TRANSPORT STANDARD DETAILS	TITLE: STANDARD KERB AND CHANNEL PROFILES	CONTRACT NUMBER:	
DATA SOURCE:		WATER		SURVEYED	-	REDUCED SCALE (A3):	1:100				DRAWING NUMBER:	A-3332
LEVEL DATUM:		DRAINAGE		DESIGNED	B.W.	PRODUCED BY:	LAND TRANSPORT	SHEET: 1 OF 1				
B	STANDARD KERB & CHANNEL DIMENSION CORRECTION	BMC	SD	PM	10/11	DESIGN CHECK	-					
A	REDRAWN, REINFORCED DISH CHANNEL REPLACED	BMC	SD	PM	09/11	DRAWN	S. CASWELL					
	WIDE DISH CHANNEL					DRG CHECK	-					
No.	REVISION	BY	CHK	APP	DATE	APPROVED	A.A. HARPER					