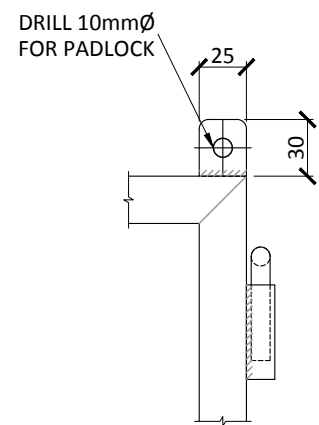
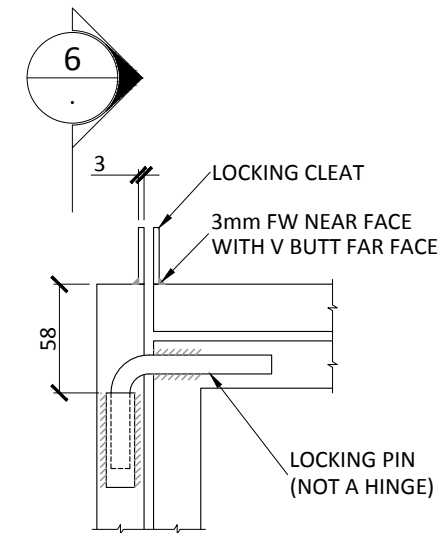
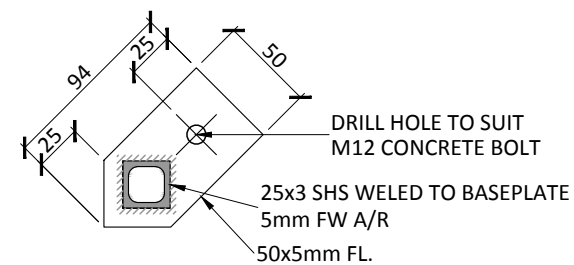
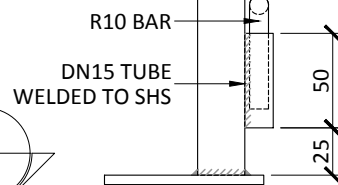
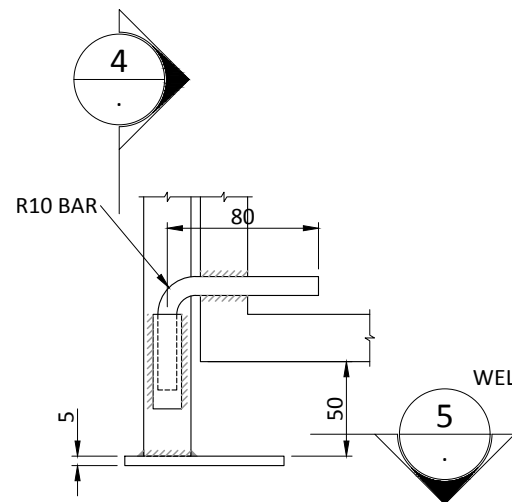


SIDE ELEV
1:10 at A1

OPENED CAGE
1:10 at A1

FRONT ELEVATION
1:10 at A1

- NOTES.**
1. ALL DIMENSIONS SHALL CHECKED TO ENSURE CAGE FITS BACKFLOW PREVENTER ASSEMBLY
 2. ALL FRAME MEMBERS SHALL BE 25x25x3mm SHS
 3. CAGE SHALL BE 228T MESH (4Ø x50mm HOLES)
 4. ALL COMPONENTS SHALL BE HOT DIP GALVANISED AFTER FABRICATION.



1 DETAIL
1:2 at A1

4 DETAIL
1:2 at A1

5 DETAIL
1:2 at A1

2 DETAIL
1:2 at A1

6 DETAIL
1:2 at A1

SURVEY FILE:		INITIAL	DATE	NAME	DATE	ORIGINAL SCALE (A1):	1:10, 1:2	TIMARU DISTRICT COUNCIL 2 King George Place P.O. Box 522 Timaru 7940 Telephone: 03 687 7200 Website: www.timaru.govt.nz	PROJECT: DRAINAGE AND WATER CODE OF PRACTICE STANDARD DETAILS	TITLE: WATER SUPPLY DN100 - 250mm BACKFLOW DEVICE SECURITY CAGE	CONTRACT NUMBER:	
DATA SOURCE:						REDUCED SCALE (A3):	1:20, 1:4				DRAWING NUMBER:	REVISION:
E	CHANGES TO MANHOLE DETAIL	S.C.	12/15	SURVEYED	-						5304	F
D	THRUST BLOCK DETAIL	L.S.	08/15	DESIGNED	RRP							
C	TANK AIR GAP DETAIL	G.G.	10/13	DESIGN CHECK	ANW						1	10
B	RURAL TANK DETAIL	G.C.	02/13	DRAWN	RRP							
1	DRAFT ISSUE	BMC	05/11	DRG CHECK	AD							
REVISION		BY	CHK	APP	DATE	TELECOM PLANNING		APPROVED		AD		