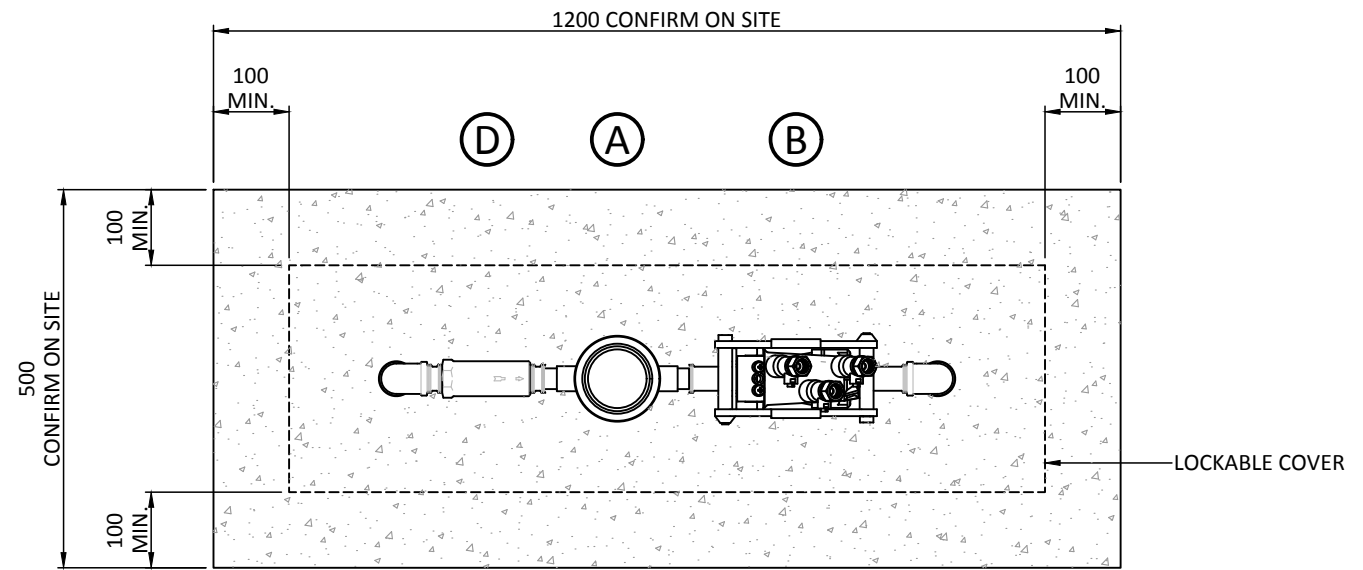


REDUCED PRESSURE ZONE - BACKFLOW DEVICE

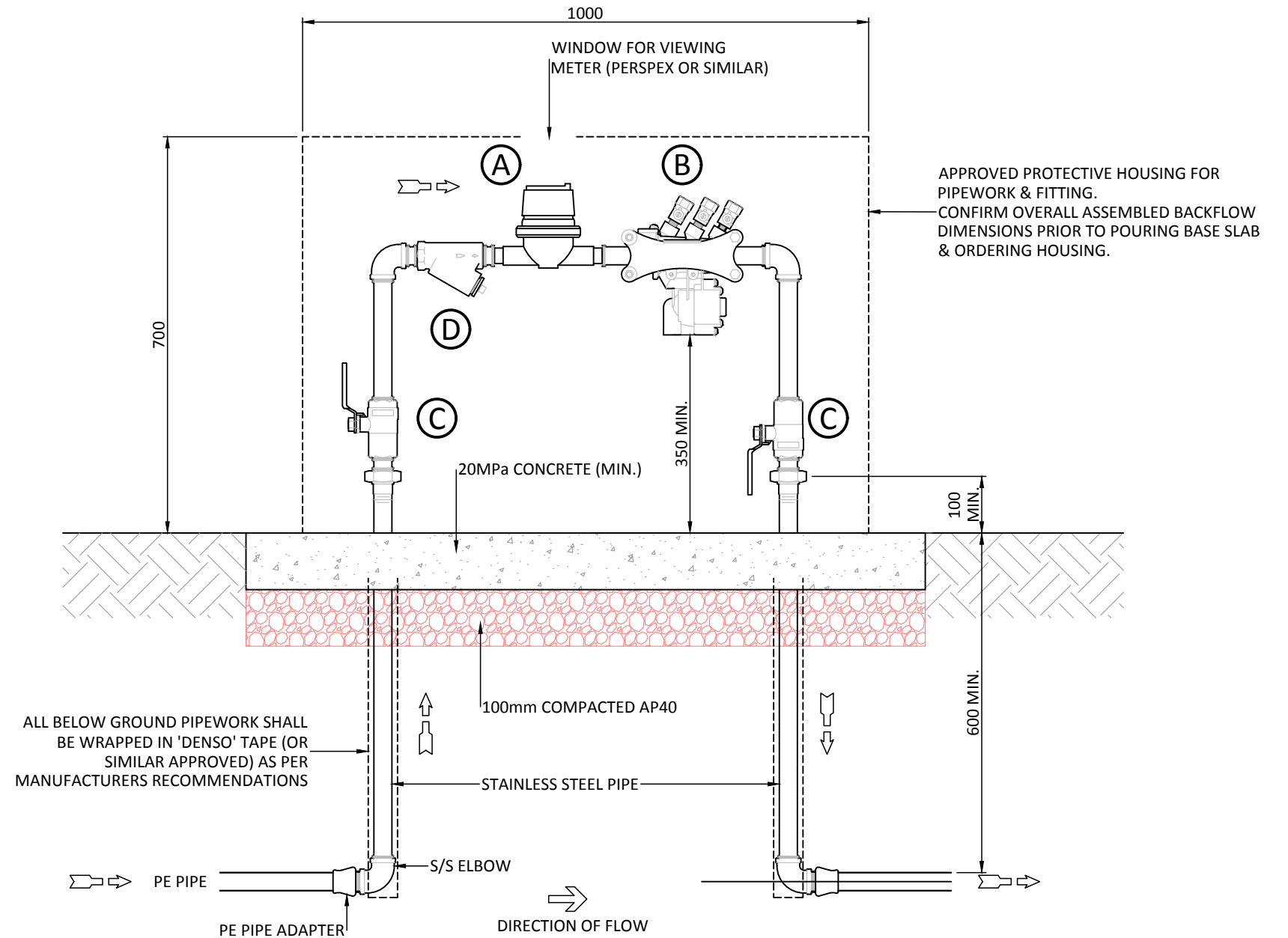
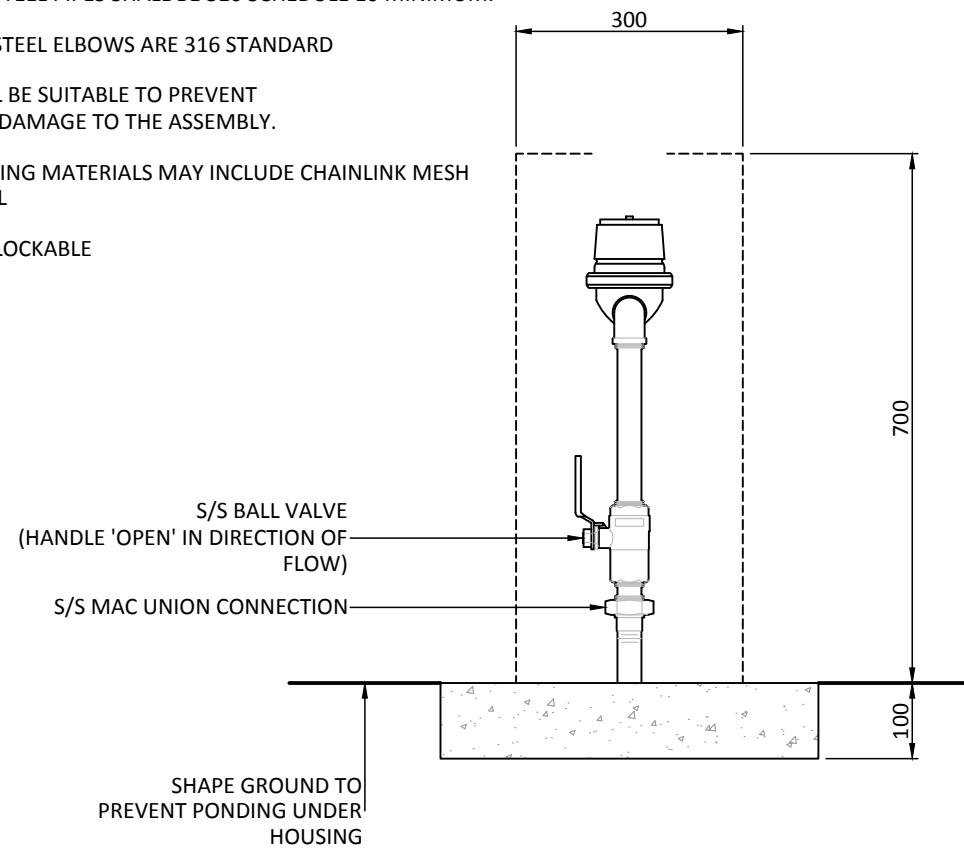
| PARTS LIST | | |
|-------------------|------|---|
| SIZE | ITEM | DESCRIPTION |
| DN20 - DN40 mm ID | A | Water Meter Sensus 620B or similar approved |
| | B | RPZ Zurn-Wilkins 375XL or similar approved |
| | C | Stainless Steel Ball Valve |
| | D | Wye Strainer 20 mesh screen |

SOME METERS MAY REQUIRE A 5x PIPE Ø LENGTH OF STRAIGHT PIPE UPSTREAM & 2x PIPE Ø DOWNSTREAM OF THE METER -IT IS THE CONTRACTORS RESPONSIBILITY TO CHECK AND ALLOW FOR ANY ADDITIONAL FITTINGS NEEDED FOR THE SUPPLIED MAKE & MODEL OF METER OR FITTING.



NOTES.

1. USE ONLY DRZ BRASS OR STAINLESS FITTINGS
2. ALL STAINLESS STEEL PIPES SHALL BE 316 SCHEDULE 10 MINIMUM.
3. ALL STAINLESS STEEL ELBOWS ARE 316 STANDARD
4. HOUSING SHALL BE SUITABLE TO PREVENT INTERFERENCE/DAMAGE TO THE ASSEMBLY.
5. SUITABLE HOUSING MATERIALS MAY INCLUDE CHAINLINK MESH OR SHEETMETAL
6. UNIT SHALL BE LOCKABLE



| | | | | | | | |
|--------------|--|----------|------|--------------|------|---|-----------|
| SURVEY FILE: | | INITIAL | DATE | NAME | DATE | ORIGINAL SCALE (A1): | 1:10, 1:2 |
| DATA SOURCE: | | WATER | | SURVEYED | | REDUCED SCALE (A3): | 1:20, 1:4 |
| LEVEL DATUM: | | DRAINAGE | | DESIGNED | | PRODUCED BY: | |
| | | ROADING | | DESIGN CHECK | | FOR: | |
| | | PARKS | | DRAWN | | THIS DOCUMENT IS THE PROPERTY OF THE TIMARU DISTRICT COUNCIL. IT IS NOT TO BE REPRODUCED WITHOUT THE PERMISSION OF THE TIMARU DISTRICT COUNCIL. | |
| | | ELEC.PWR | | DRG CHECK | | | |
| | | TELECOM | | APPROVED | | | |
| | | PLANNING | | | | | |



TIMARU DISTRICT COUNCIL
2 King George Place
P.O. Box 522
Timaru 7940
Telephone: 03 687 7200
Website: www.timaru.govt.nz

PROJECT: DRAINAGE AND WATER
CODE OF PRACTICE
STANDARD DETAILS

TITLE: WATER SUPPLY
DN20 - 40mm BACKFLOW DEVICE
INSTALLATION DETAILS

| | |
|------------------|---------|
| CONTRACT NUMBER: | |
| DRAWING NUMBER: | 5304 |
| REVISION: | F |
| SHEET: | 1 OF 10 |