

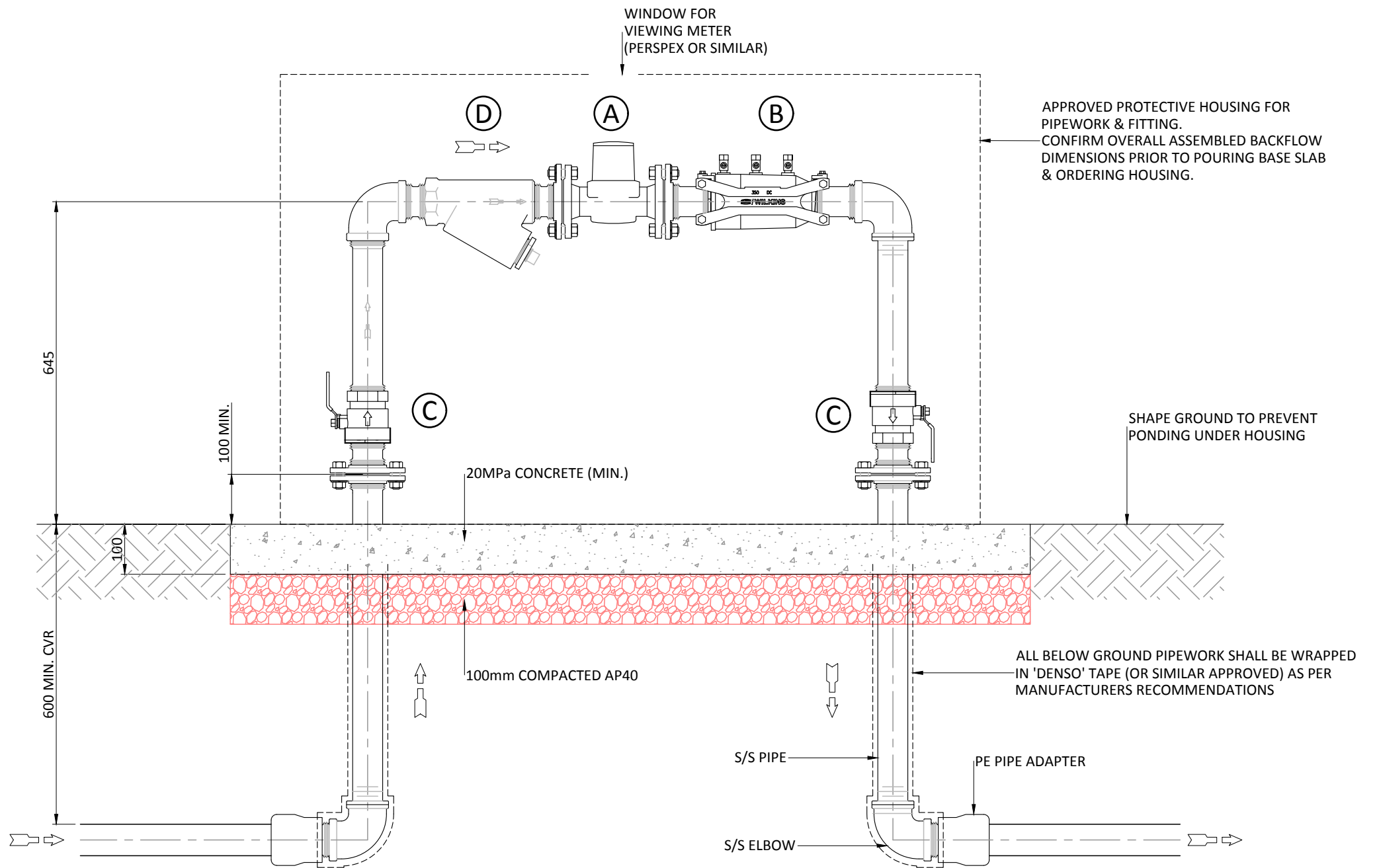
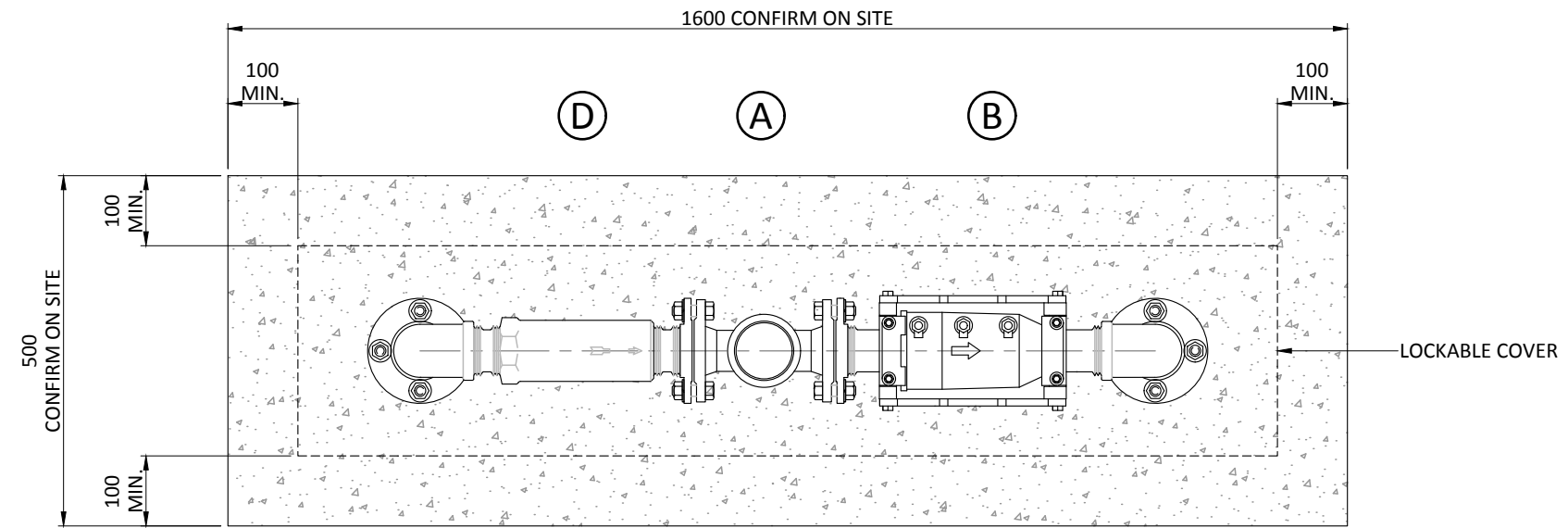
DOUBLE CHECK VALVE - BACKFLOW DEVICE


PARTS LIST		
SIZE	ITEM	DESCRIPTION
DN50 mm ID	A	Water Meter Sensus Meistream Plus or similar approved
	B	Zurn-Wilkins 350 Double Check Assembly or similar approved
	C	Ball Valve Stainless Steel
	D	Wye Strainer 20 mesh screen

SOME METERS MAY REQUIRE A 5x PIPE Ø LENGTH OF STRAIGHT PIPE UPSTREAM & 2x PIPE Ø DOWNSTREAM OF THE METER -IT IS THE CONTRACTORS RESPONSIBILITY TO CHECK AND ALLOW FOR ANY ADDITIONAL FITTINGS NEEDED FOR THE SUPPLIED MAKE & MODEL OF METER OR FITTING.

NOTES.

1. USE ONLY DRZ BRASS OR STAINLESS STEEL FITTINGS
2. ALL STAINLESS STEEL PIPES SHALL BE 316 SCHEDULE 10 MINIMUM.
3. ALL STAINLESS STEEL ELBOWS ARE 316 STANDARD
4. ALL STAINLESS STEEL FLANGES ARE TO AS2129 TABLE E STANDARD.
5. HOUSING SHALL BE SUITABLE TO PREVENT INTERFERENCE/DAMAGE TO THE ASSEMBLY.
6. SUITABLE HOUSING MATERIALS MAY INCLUDE CHAINLINK MESH OR SHEETMETAL
7. UNIT SHALL BE LOCKABLE



SURVEY FILE:		INITIAL	DATE	NAME	DATE	ORIGINAL SCALE (A1):	1:10, 1:2	 TIMARU DISTRICT COUNCIL 2 King George Place P.O. Box 522 Timaru 7940 Telephone: 03 687 7200 Website: www.timaru.govt.nz	PROJECT: DRAINAGE AND WATER CODE OF PRACTICE STANDARD DETAILS	TITLE: WATER SUPPLY DN50mm BACKFLOW DEVICE INSTALLATION DETAILS	CONTRACT NUMBER:	
DATA SOURCE:						REDUCED SCALE (A3):	1:20, 1:4				DRAWING NUMBER:	REVISION:
LEVEL DATUM:						PRODUCED BY:						
PARKS						FOR:						
ELEC.PWR						THIS DOCUMENT IS THE PROPERTY OF THE TIMARU DISTRICT COUNCIL. IT IS NOT TO BE REPRODUCED WITHOUT THE PERMISSION OF THE TIMARU DISTRICT COUNCIL.						
TELECOM												
PLANNING												
No.	REVISION	BY	CHK	APP	DATE							